

# Data Sheet for Joysticks

## Accessories for Joystick

## SpaceMouse® Module

### Elastomer ring - part no. 134818

- For mounting on the SpaceMouse® Module's cap

#### Applications

- Increases adhesion with plastic foils (PP)
- Increases grip when operator uses gloves

#### Mounting instruction

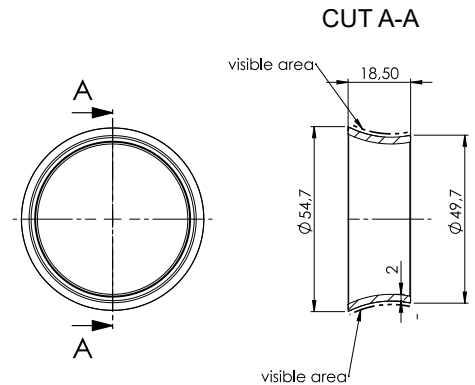
- Mounting and unmounting possible without tool
- No glueing needed
- Make sure to fix cab while removing (be careful not to damage the spring/mechanics while doing so)

#### Material details

Material type: TPE

Properties: Adhesion with PP, halogen-free (according to IEC 61249-2-21)

Approvals: EN71-3, US CFR 21 FDA, meets EU regulation 10/2011



### Cables – overview

The SpaceMouse® Module comes with one connection cable enclosed. For special needs or replacement of broken cables, the following cables are available:

Part No.	Applicable for	Length	Description / Application
135082	SpaceMouse® Module USB, 131002	1.5 m	USB spare cable harness (original quality), terminated with USB type A connector. For replacement of standard cable.
135054	SpaceMouse® Module UART, 131034	200+15 mm	Improved connection cable, with JST plugs one side and Molex 2.54 raster connector on the customer's side, see drawing below. For replacing the original cable or if a more robust cable is needed.
136030	SpaceMouse® Module CANopen, 135873	300+25 mm	Standard CANopen cable harness, strands 4-pole AWG26

### Drawing for UART cable harness – part no. 135054

Pin assignment			
Pins Connector A SHR-04V-S-B	Wire colour	Pins Connector B 50-57-9004	
1	red	1	
2	green	3	
3	orange	4	
4	black	2	

### Drawing for CANopen cable harness – part no. 136030

Pin assignment			
Connector	Wire colour	Function	
1	red	Supply voltage	
2	black	GND	
3	green	CANH	
4	white	CANL	